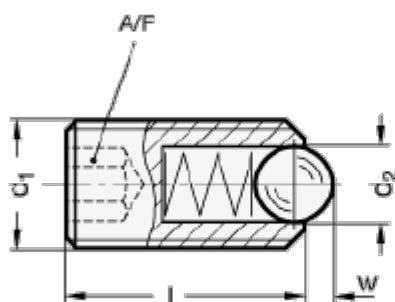


Article number: 206153M10KMVK

Description: E+G spring plungers 615.3-M10-K-MVK

## Measures



Thread locking **PFB**  
Polyamide patch  
for type **K**



Thread locking **PFB**  
Polyamide patch  
for type **KS**



Thread locking **MVK**  
Micro encapsulation precote  
(for all types)

A/F	= 5
d1	= M10
d2	= 6
l	= 23
Max. spring load in N	= 45
Preload spring pressure in N	= 24
w	= 2